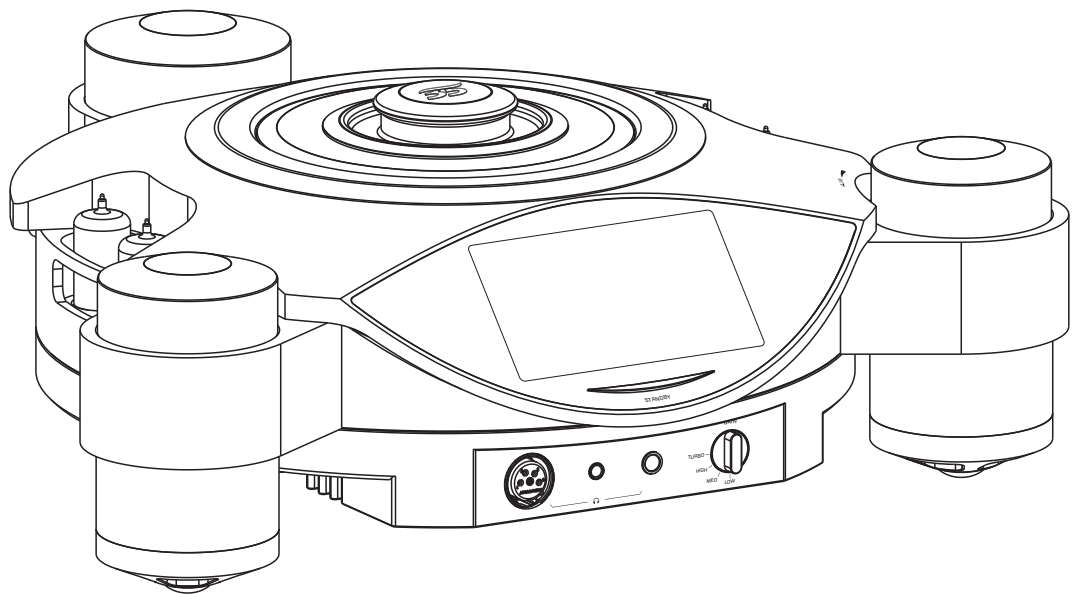




CD-T35

快速入门指南
Quick Start Guide



CD-T35 / CD-T35 (PH)

安全指示

1. 不可自行开启本机进行维修、拆卸或改造。
2. 为了充分通风，设备背面和两侧应最少保留10cm，顶部应最少保留20cm的空间。
3. 设备不应遭受水滴或水溅，机器上不应放置诸如花瓶一类的装满液体的物品。
4. 通风孔不要覆盖诸如报纸、桌布和窗帘等物品而妨碍通风。
5. 设备上不要放置裸露的火焰源，如点燃的蜡烛。
6. 设备应当连接到带保护接地连接的电网电源输出插座上。
7. 用电源插头和器具耦合器作为断开装置，断开装置应当保持能方便地操作。
8. 必须遵照电池废弃的相关地方条例来废弃旧电池。
9. 仅适用于海拔2000m以下地区安全使用，标志见图1。
10. 仅适用于非热带气候条件下安全使用，标志见图2。



图1

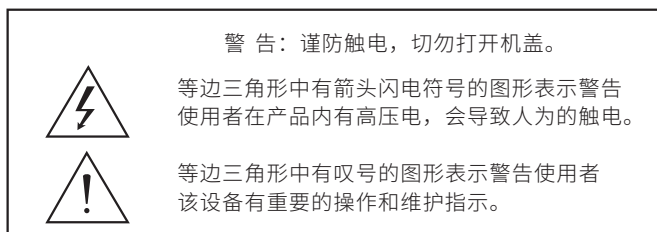


图2

★ 产品技术标准：GB4943.1-2022

安全注意事项

◎ 安全警告

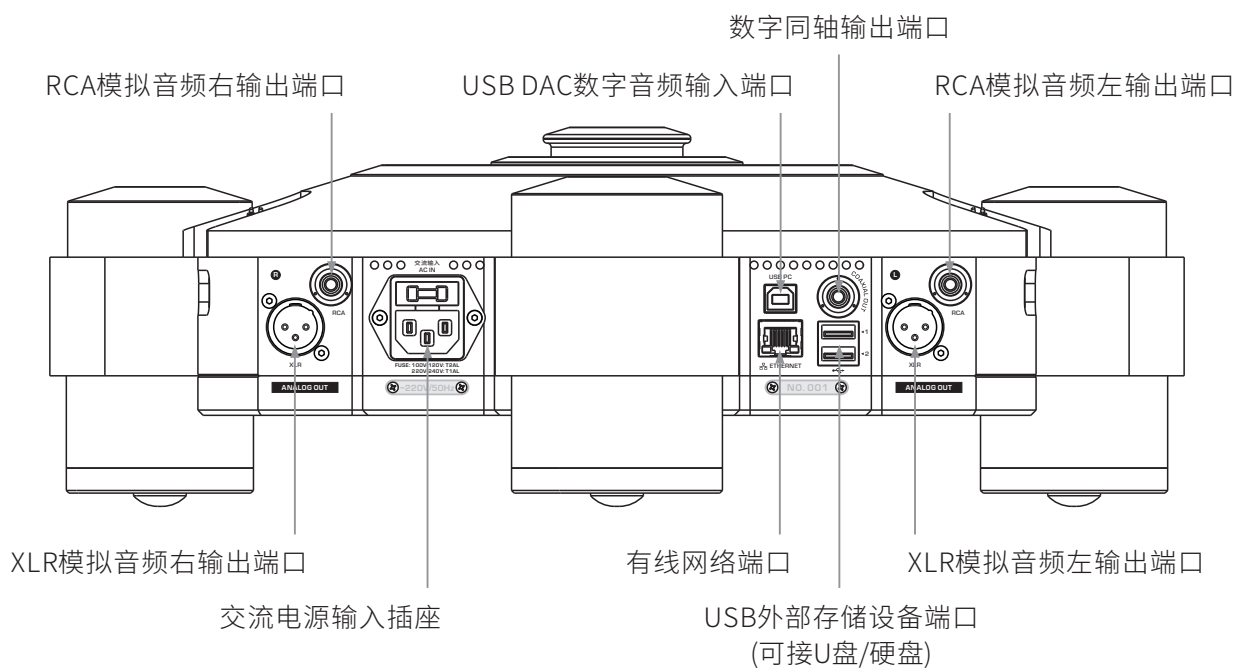
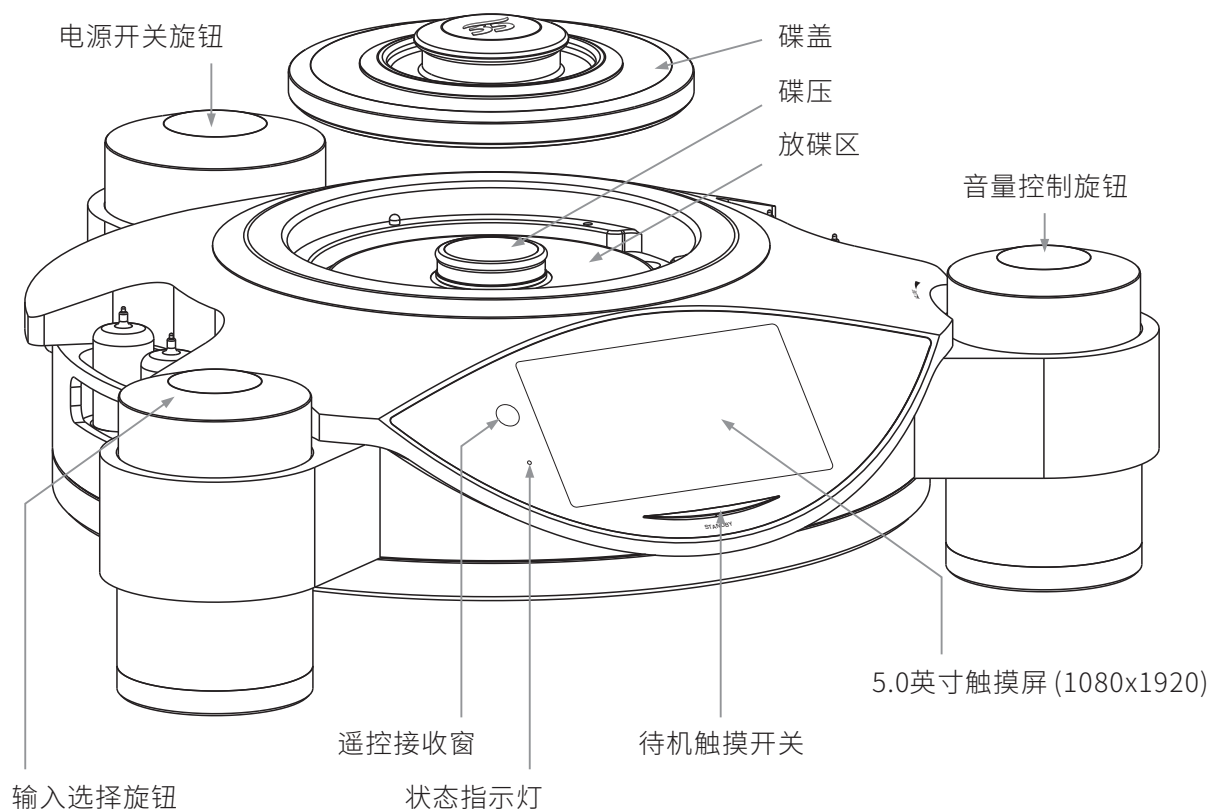


◎ 激光警告

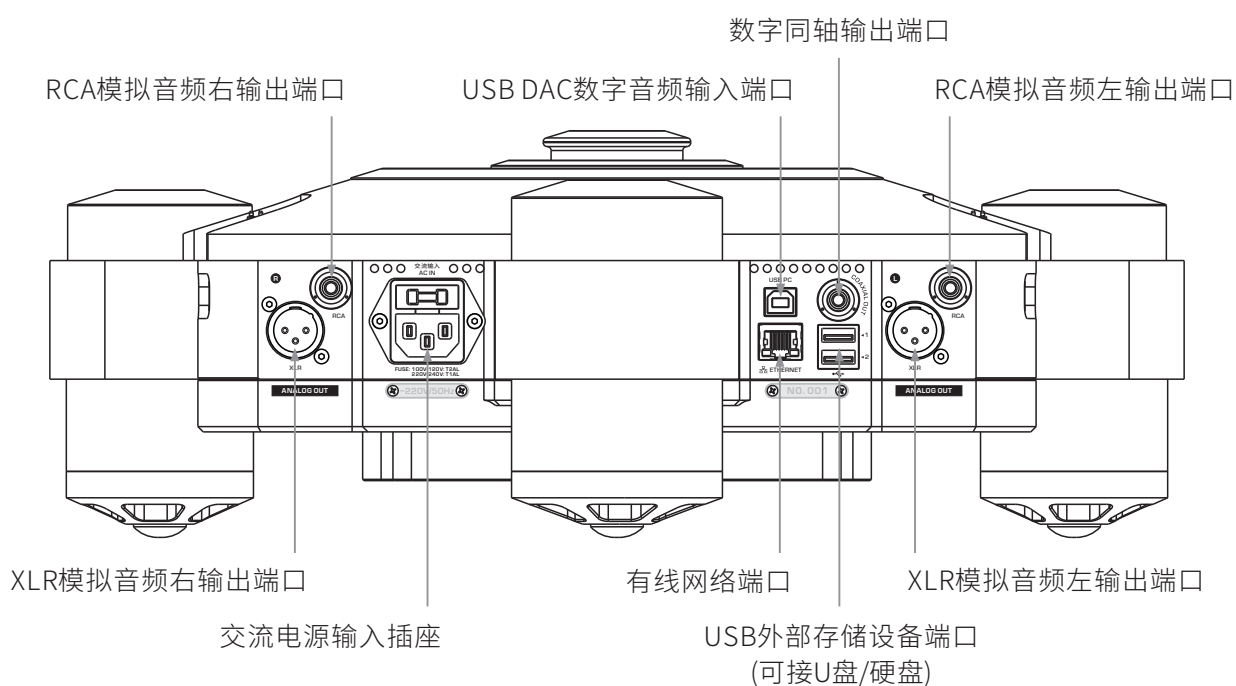
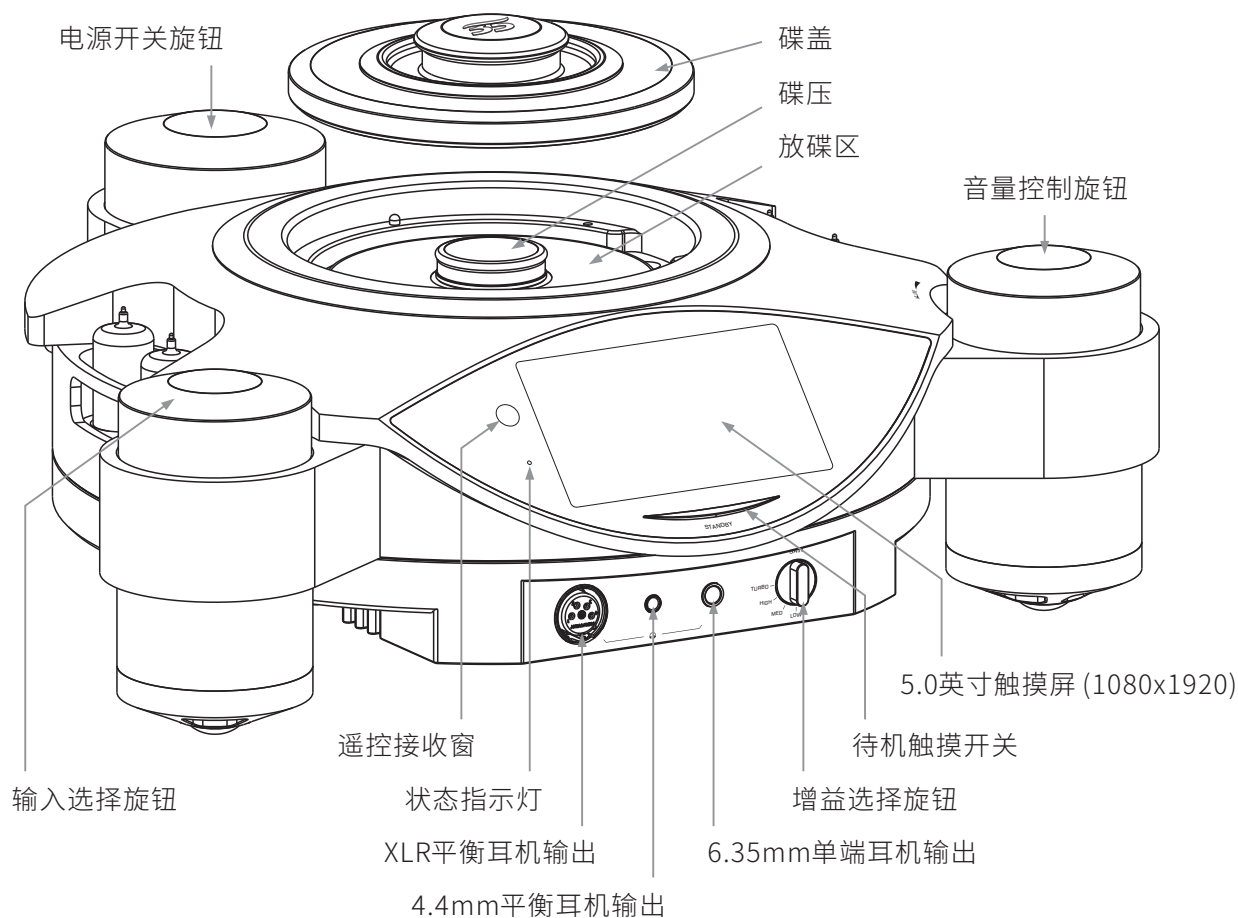
1. 由于本装置中使用的镭射光束对眼睛有害，请勿打开机箱，只有专业人员方可维修。
2. 本装置被划分为1级镭射产品，1级镭射产品标牌位于机箱后面。
3. 本机的镭射元件能产生超过1级限度的镭射。



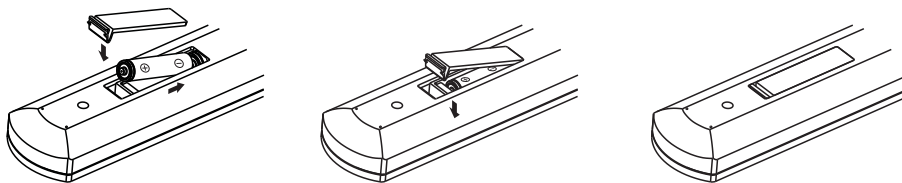
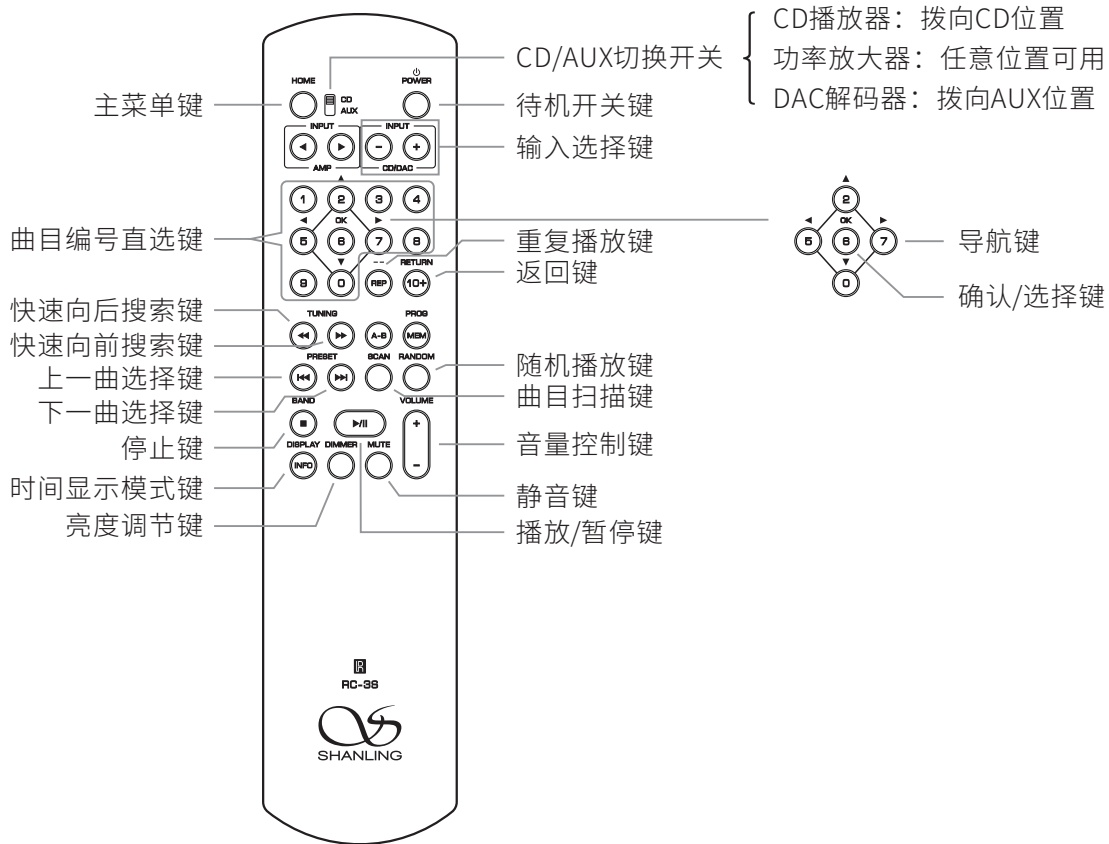
CD-T35 部件名称



CD-T35 (PH) 部件名称



遥控器示意图



注：

1. 遥控器有效距离不大于10米，遥控夹角不大于30度。
2. 遥控器未标示按键非本机功能，操作无效属正常现象。

操作说明

开机/待机/关机

1. 开机：接通电源，旋动机器后机脚上的电源开关置于 [ON] 方向，机器处于待机状态，面板上的状态指示灯点亮为红色，再按住面板上的 [STANDBY] 触摸条或遥控器上的 [POWER] 键保持3秒，状态指示灯变为蓝色并进入开机界面。
2. 待机：按住面板上的 [STANDBY] 触摸条或遥控器上的 [POWER] 键保持3秒，机器处于待机状态，面板上的状态指示灯点亮为红色。
3. 关机：旋动机器后机脚上的电源开关置于 [OFF] 方向即可。
4. 若长时间不使用本机时，请将本机的交流输入电源线与市电插座分离。

导航键（设置 - 系统设置 - 通用 - 导航键）

1. 手势模式

返回上一级：从屏幕左侧边缘向右滑或右侧边缘向左滑。

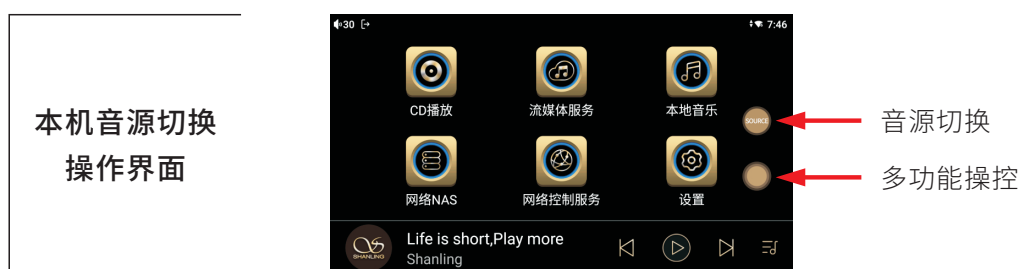
返回桌面：从屏幕下方向上滑。

2. 悬浮球模式


返回上一级：在屏幕上单击悬浮球。

返回桌面：在屏幕上长按悬浮球。

悬浮球快速入门操作指引



音源切换：

在任意界面，长按悬浮球"SOURCE"或下拉栏单击""进入音源切换界面，可选择CD、本地播放、USB_DAC之间切换。

注：SOURCE悬浮球可在"设置 - 系统设置 - 通用 - 开启音频切换悬浮球"打开或隐藏。

音源切换

旋动机器前左机脚上的 [INPUT] 旋钮或遥控器上的 [- INPUT +] 键，也可在下拉栏单击 [📁] 图标进入音源切换界面，可在"CD、本地播放、USB_DAC"之间进行切换。

音量控制

旋动机器前右机脚上的 [VOLUME] 旋钮或遥控器上的 [VOLUME +/-] 键，可调节音量大小。

停止

1. 在播放状态下，点击显示屏上的 [⏏] 图标或按遥控器上的 [■] 键，可停止该碟片的播放。
2. 在播放状态下，当想更换碟片时，请先停止当前碟片的播放，再取出碟盖。

播放/暂停

1. 当放好碟片后或碟片处于停止状态时，点击显示屏上的 [▶] 图标或按遥控器上的 [▶/||] 键，可对当前碟片进行播放。
2. 在播放状态下，点击显示屏上的 [⏸] 图标或按遥控器上的 [▶/||] 键，可对当前碟片进行暂停播放，再按一次该键时则恢复正常播放状态。

上一曲

点击显示屏上的 [⏮] 图标或按遥控器上的 [⏮] 键，若当前曲目播放时间少于5秒，则跳向前一个曲目。若当前曲目播放时间大于5秒，则回到当前曲目起始处播放，再按一下才跳向前一个曲目进行播放。

下一曲

点击显示屏上的 [⏭] 图标或按遥控器上的 [⏭] 键，即可跳向下一个曲目进行播放。

快速搜索

按住显示屏上的 [⏮] 图标或遥控器上的 [⏮] 键时为快速向后搜索，按住显示屏上的 [⏭] 图标或遥控器上的 [⏭] 键时为快速向前搜索，放开该键时恢复正常播放状态。

数字键选曲

1. 选第1至第9首曲目，可以直接按遥控器上的1至9数字键。
2. 选10首以上曲目时，先按十位数对应的数字键，在两秒钟内，再按个位数对应的数字键即可。

重复播放

连续重复播放当前曲目，点击显示屏上的 [↺] 图标或按遥控器上的 [REP] 键一次，显示屏显示"↺"图标。连续重复播放整张碟片上的曲目，则再点击显示屏上的 [↺] 图标或按遥控器上的 [REP] 键，显示屏显示"↺"图标。若想取消重复播放功能，则再点击显示屏上的 [↺] 图标或按遥控器上的 [REP] 键，显示屏显示"↻"图标。

曲目扫描

1. 按遥控器上的 [SCAN] 键，显示屏显示"Scanning..."字符，表示已在开始执行曲目扫描功能。曲目扫描功能是播放每一首曲目开始前十秒钟的内容，当碟片上的所有曲目扫描完后，碟机处于停止状态。
2. 在执行曲目扫描过程中如想取消该功能，按一次 [SCAN] 键或 [■] 键即可。

随机播放

1. 点击显示屏上的 [⊗] 图标或按遥控器上的 [RANDOM] 键，显示屏显示"⊗"图标，表示已在开始执行随机播放功能，直至全部播放完毕。
2. 点击显示屏上的 [⊗] 图标或按遥控器上的 [RANDOM] 键，即可取消随机播放。

显示屏亮度调节

1. 按下遥控器上的 [DIMMER] 键，显示屏出现亮度条后，配合遥控器上的左右导航键 [◀/▶] 即可调节亮度，调节好后可按遥控器上的 [RETURN] 键退出亮度条即可。
2. 可直接在下拉菜单栏拖动亮度条进行亮度调节。

静音

1. 按下遥控器上的 [MUTE] 键，显示屏显示"🔇 MUTE"图标，此时无声音输出。
2. 在静音状态下，再按下遥控器上的 [MUTE] 键一次，恢复正常放音状态。

增益选择

旋动机器前面板上的增益选择旋钮，分别有"TURBO (超高) / HIGH (高) / MED (中) / LOW (低)"共4档增益可供选择，用户可根据耳机调到自己喜欢的档位。

注：此功能只对型号CD-T35(PH)有效。

U盘播放

1. 建议U盘使用前先格式化为FAT32格式，再拷入音乐文件，否则机器有可能无法识别U盘。
2. 机器后板上的USB口，支持高达2TB容量的存储设备。
3. 支持最高采样频率：768kHz和DSD512。
4. 支持文件格式：DSD、DXD、APE、FLAC、WAV、AIFF/AIF、DTS、MP3、WMA、AAC、OGG、ALAC、MP2、M4A、AC3、OPUS、TAK等，支持CUE。

Bluetooth 输入

1. 前往"设置 - 系统设置", 并将"蓝牙"及"蓝牙耳机放模式"选项打开。
2. 此时本机蓝牙会一直处于可以被搜索状态, 打开手机或iPad等搜索蓝牙设备。
3. 在搜索到的设备中选择"Shanling CD-T35"。
4. 设备连接好后, 使用播放软件播放音乐即可。

USB设置

1. 将USB线从电脑连接到机器后板上的"USB PC"端口。
2. 旋动机器前左机脚上的 [INPUT] 旋钮或遥控器上的 [- INPUT +] 键将音频信号切换到"USB_DAC"模式。
3. 连接电脑后, 请将"USB驱动"安装至电脑上(MAC电脑免安装驱动)。
4. 在电脑选择设置对应的声音输出设备即可。

USB驱动程序下载方式:

请登录官网www.shanling.com并进入下载中心, 对应产品型号进行下载。

APP控制

扫描二维码并对应下载Eddict Player APP, 安装完成后即可对产品进行操控。



Eddict Player
扫码即可下载



APP使用说明书

固件升级

升级过程中请不要操作机器。

OTA在线升级

1. 打开WiFi功能并连接到可用网络。
2. 前往"设置 - 固件升级 - 在线升级"即可自动检查更新。
3. 如检测到有新版本, 点击"继续更新"开始下载, 再点击"安装更新"直到安装完成即可。

U盘升级

1. 请在山灵官网 - 产品中心 - CD-T35产品页面下载固件升级程序, 将新固件拷贝到机器"内置存储"或"external_usbotg1"上, 建议升级文件放置在根目录下。
2. 前往"设置 - 固件升级 - 本地升级", 进入存放固件的路径并选择相应的固件点击升级。

随机附件

快速入门指南：1份

保修卡：1份

三联电源线：1根

USB线：1根

遥控器：1个

碟盖：1个

碟压：1只

鹿皮绒布：1张

白手套：1双

Safety Instructions

1. Don't repair, disassemble or modify the device without permission.
2. For good ventilation, a minimum of 10cm clearance shall be maintained at the back and both sides and 20cm at the top of the player.
3. Allow no water dripping or splashing into the player. Place no object containing liquid on the player, e.g. Vase.
4. Do not cover any ventilation hole with newspaper, cloth, curtain, etc. in case of ventilation blocking.
5. Allow no exposed flame source on the player, e.g. burning candle.
6. The player shall be connected to AC power output socket with grounding protection.
7. If power plug and appliance coupler are used as disconnecting device, the disconnecting device shall be easily operable.
8. The waste battery must be treated according to relevant local battery wasting regulations.
9. Only applicable for safe use in the area with elevation under 2000m. See Fig. 1 for the sign.
10. Only applicable for safe use under non-tropical climate conditions. See Fig. 2 for the sign.



Fig. 1

Fig. 2

Safety Precautions



Caution: Risk of electric shock. DO NOT OPEN.

The sign with arrowed lightning inside an equilateral triangle warns the user that the player has high voltages inside which can cause electric shock.

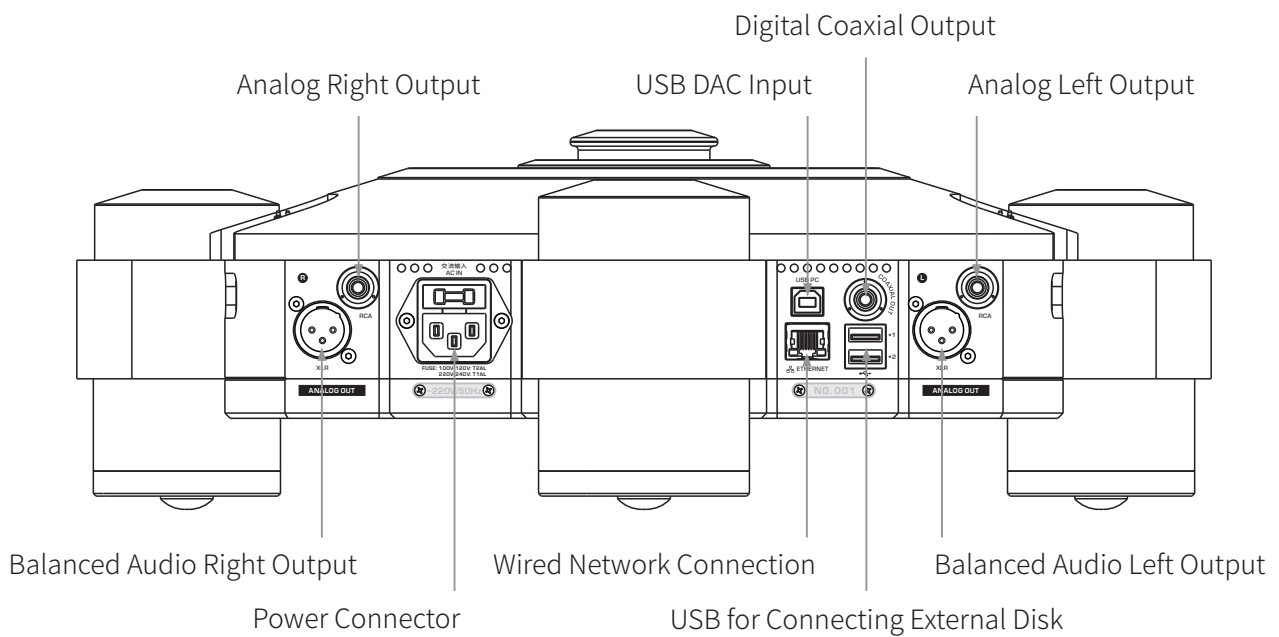
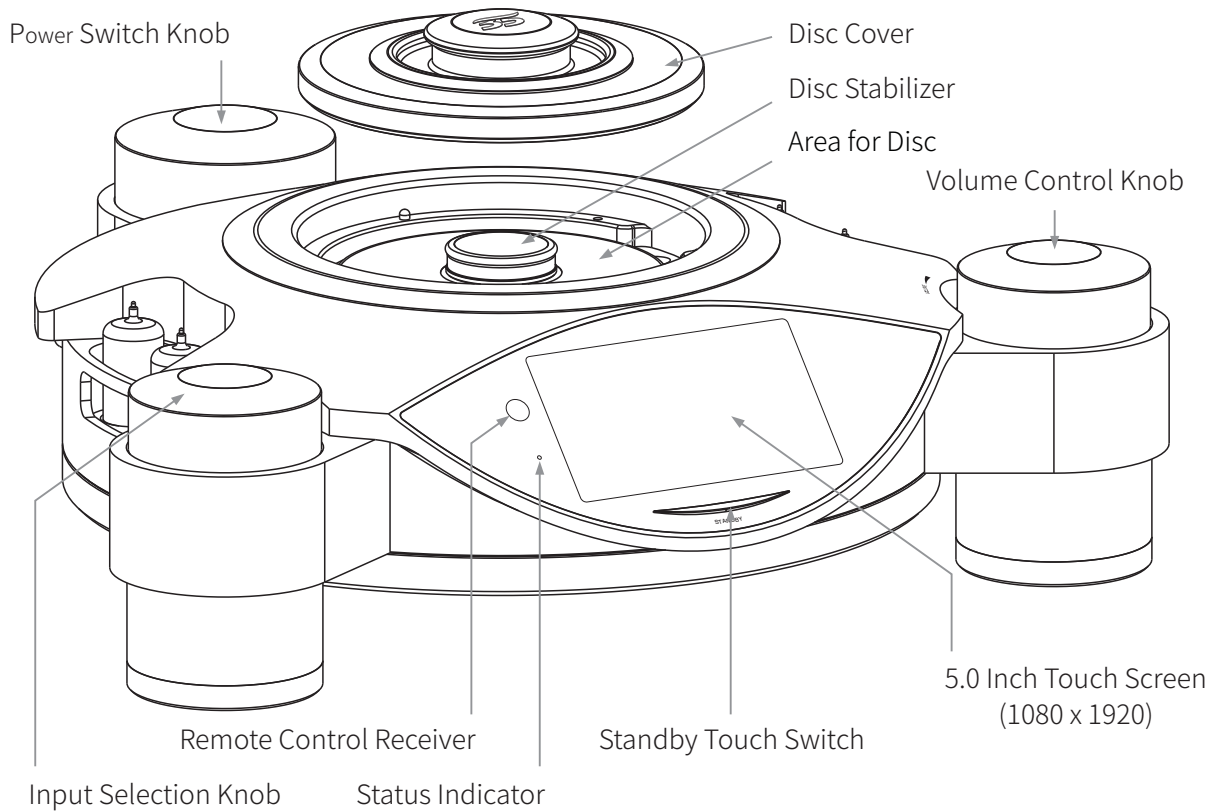
The sign with an exclamation mark inside an equilateral triangle warns the user that the player has important operation and maintenance instructions.

Laser Warning

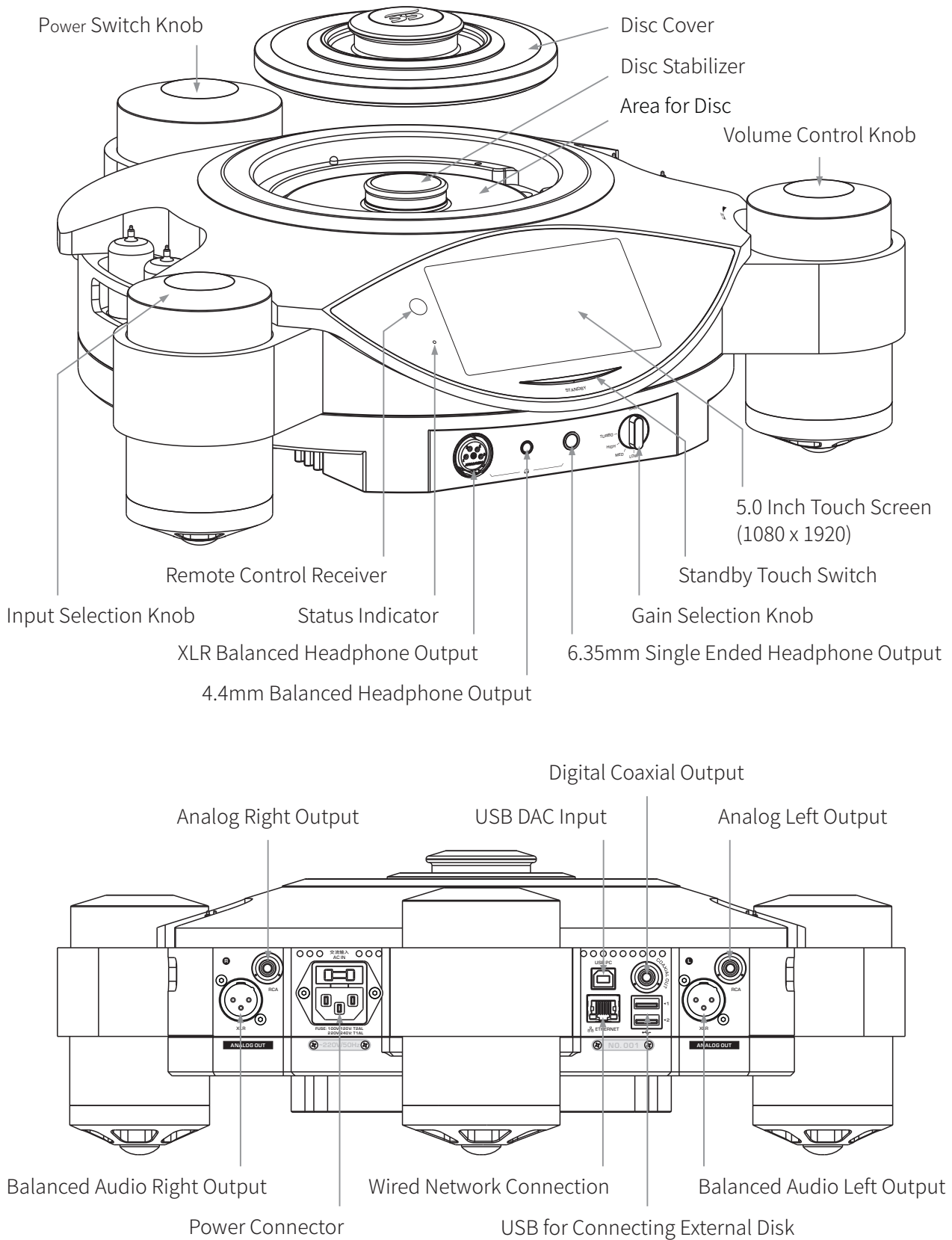
1. Since the laser beam in this player can damage the eye, please do not open the enclosure. Only a qualified technician should carry out repairs.
2. This player is classified as a Class 1 laser product, and is identified as such on the label located on the rear of the enclosure.
3. The laser components of this product can generate laser radiation above the Class 1 limit.



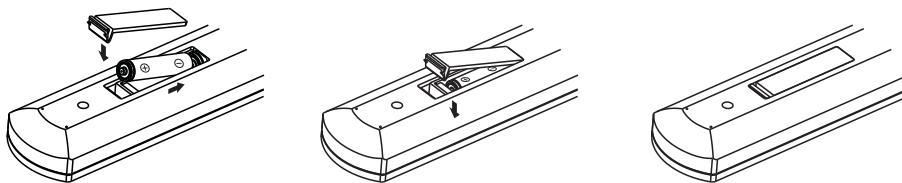
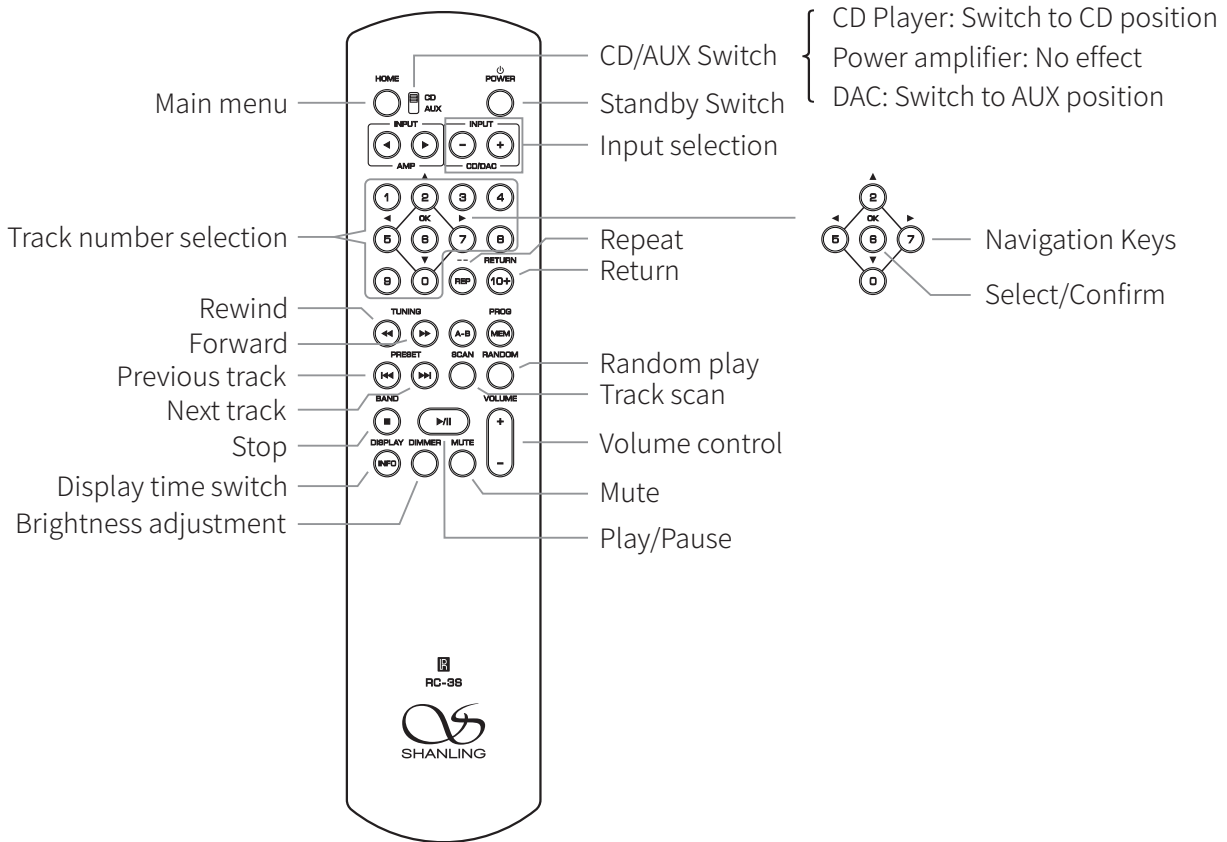
CD-T35 Parts Name



CD-T35 (PH) Parts Name



Remote Control Diagram



Note:

1. The valid distance of the remote controller is not more than 10m and the included angle of remote control is not more than 30°.
2. Buttons without function names on the remote controller have no use for this product. It is normal that there will be no response when you press them.

Operating instructions

Power On /Off/Standby

1. Power on: Rotate the power switch on the rear foot of the machine to the [ON] position, the machine will enter the standby mode and the status indicator on the front panel will light up in red. Then press and hold the [STANDBY] touch strip on the front panel or the [POWER] key on the remote control for 3 seconds, the status indicator will turn blue and the machine will power on.
2. Standby: Press and hold the [STANDBY] touch strip on the front panel or the [POWER] key on the remote control for 3 seconds, the machine will switch to the standby mode. Status indicator will turn red.
3. SPower Off: Rotate the power switch on the rear foot of the machine to [OFF] position.
4. If the device is not in use for longer period of time, please disconnect it from power outlet.

Navigation mode (Settings - System Setting - General - Navigation mode)

1. Gesture mode

Return to the previous: slide to the right from the left edge of the screen or slide to the left from the right edge of the screen.

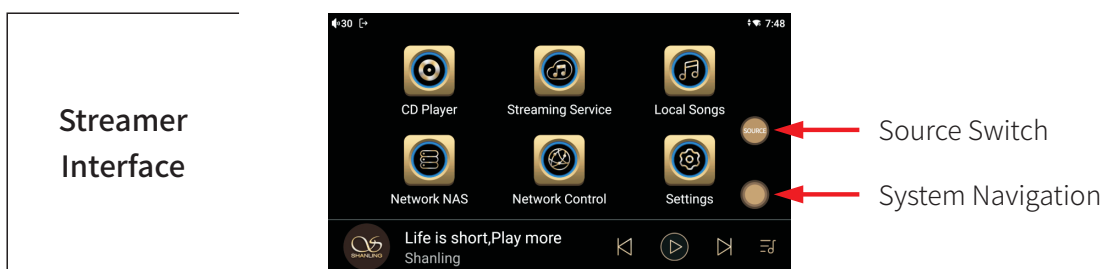
Back to the main screen: slide up from the bottom of the screen.

2. Floating box mode

Return to the previous: click the floating ball on the screen.

Back to the desktop: press and hold the floating ball on the screen.

Floating Box Button Guide



Source Switching:

Long press the "SOURCE" floating button or click on "☰" in the swipe down menu to enter the input menu. Switch between CD, Local Playback or USB_DAC.

Note: The SOURCE floating button can be turned on or off in "Settings - System Setting - General - Open Audio-Source Floating Ball".

Select Input Source

Use the [INPUT] knob or the [- INPUT +] keys on remote to switch between inputs. In the system, you can click on [☰] in the swipe down menu to bring up input switching menu. Options include CD, Local Playback and USB DAC.

Volume Control

Use the [VOLUME] knob or the [VOLUME +/-] keys on remote to adjust the volume.

Playback Stop

1. During playback, click the [⏏] icon on the display or press the [■] key on the remote to stop the playback.
2. Please always stop the playback before removing the CD disc cover.

Play/Pause

1. Click the [▶] icon on the display or press the [▶/||] key on the remote to start playback.
2. During playback, click the [⏸] icon on the display or press the [▶/||] key on the remote to pause playback, and press the key again to resume playback.

Previous Track

Tap the [⏮] icon on the display or press the [⏮] key on the remote. If the current track progressed for more than 5 seconds, it will return playback to the beginning of the track. Press again to switch to the previous track.

Next Track

Tap the [⏭] icon on the display or press the [⏭] button on the remote to skip to the next track.

Rewind / Fast Forward

When you press and hold the [⏮] icon on the display or the [⏮] key on the remote, playback will rewind. When you press and hold the [⏭] icon on the display or the [⏭] key on the remote, playback will fast forward.

Track Selection with Numerical Button

1. To select track 1 to 9, press the numerical buttons 1 to 9 on remote control.
2. To select track 10 or above, press the [10+] button and then 0 to 9 track button. After pressing [10+], you have 2 seconds to press other track button.

Repeat Play

Click the [↺] icon on the display or press the [REP] key on the remote once, then the display shows the "↺" icon and playback will repeat the current track. To repeat the whole album or disc, click the [↺] icon on the display again or press the [REP] key on the remote again, then the display shows the "↺" icon. To cancel the repeat playback function, click the [↺] icon on the display again or press the [REP] key on the remote, then the display shows the "↺" icon.

Track Scan

1. Press the [SCAN] key on the remote, the display will show "Scanning..." The track scan function plays the first ten seconds of each track on the disc and then it stops at the end of the disc.
2. To cancel this function during track scan process, press [SCAN] button or [■] button once.

Random Play

1. Click the [⊗] icon on the display or press the [RANDOM] key on the remote, the display shows the "⊗" icon to indicate that random playback is active.
2. Click the [⊗] icon on the display or press the [RANDOM] key on the remote to cancel random playback.

Display Brightness Adjustment

1. Press the [DIMMER] key on the remote, then a brightness adjustment setting will appear on the display. Use the left and right navigation keys [◀/▶] on the remote to adjust the brightness, and then press the [RETURN] key on the remote to exit the brightness setting.
2. Brightness setting is also available directly in the swipe-down menu.

Mute Playback

1. Press the [MUTE] button to mute playback. Display will show "🔇 MUTE".
2. Press the [MUTE] button again to resume playback.

Gain Selector

Rotate the Gain selector on the front panel to switch between four available levels of gain Turbo/High/Medium/Low. Adjust the gain to match used headphones.

Please Note: This function is only available on the CD-T35(PH) model.

USB Driver Playback

1. It's recommended to use USB drivers formatted to FAT32.
2. Drives up to 2TB are supported.
3. Support up to PCM 768kHz and DSD512.
4. Supported formats: DSD、DXD、APE、FLAC、WAV、AIFF/AIF、DTS、MP3、WMA、AAC、OGG、ALAC、MP2、M4A、AC3、OPUS、TAK、CUE

Bluetooth Input

1. Go to "Settings - System Settings - Bluetooth". Turn on Bluetooth and enable "Bluetooth Amp Mode".
2. Open Bluetooth settings on your phone and search for new devices.
3. The machine will show up as "Shanling CD-T35".
4. Pair it with your phone and let it connect.

USB DAC Input

1. Connect the machine to the computer using a USB cable.
2. Turn the [INPUT] knob on the front left foot or press the [- INPUT +] key on the remote to switch the input source to "USB_DAC".
3. For Windows, please download our dedicated drivers. No drivers are needed for other systems.
4. Make sure to set CD-T35 as the active sound device on your computer.

USB drivers download:

Visit the download section on our official website to download the latest USB drivers for your device: en.shanling.com

APP Control

Download the EDDICT PLAYER app for remote control of the CD-T35 from your phone or tablet.



Eddict Player



APP User's Manual

Firmware Update

Do not do operate the player during the update process.

Over-the-Air Update

1. Turn on Wi-Fi and connect to local network.
2. Go to Settings – Firmware Update – Online Update.
3. Confirm installation and wait until process finishes.

USB Drive Update

1. Please download firmware update from Shanling's official website. Copy latest firmware file into root directory of "Internal Storage" or "external_usbotg1".
2. Go to "Settings - Firmware Update - Local Update", choose the path to firmware file and click update.

Attached Accessories

Quick Start Guide: 1

Warranty Card: 1

Power Cord: 1

USB Cord: 1

Remote Control: 1

Disc Cover: 1

Disc Stabilizer: 1

Cleaning Cloth: 1

White Gloves: 1 pair



微信公众号



微博公众号



Eddict Player
扫码即可下载

公司名称: 深圳山灵数码科技发展有限公司

Company: Shenzhen Shanling Digital Technology Development Co.,Ltd.

公司地址: 深圳市南山区蛇口赤湾一路10号

Address: No.10, Chiwan 1 Road, Shekou Nanshan District of Shenzhen City, China.

QQ群/QQ Group: 667914815; 303983891; 554058348

服务热线/Telephone: 400-630-6778

电子邮件/E-mail: info@shanling.com

官网/Official Website: www.shanling.com

工作时间(周一至周五): 08:00-12:00; 13:30-17:30

由于产品不断改进, 各项规格及设计随时更改, 恕不另行通知。

Due to continuous improvement, every specification and design is subject to change at any time without further notice.